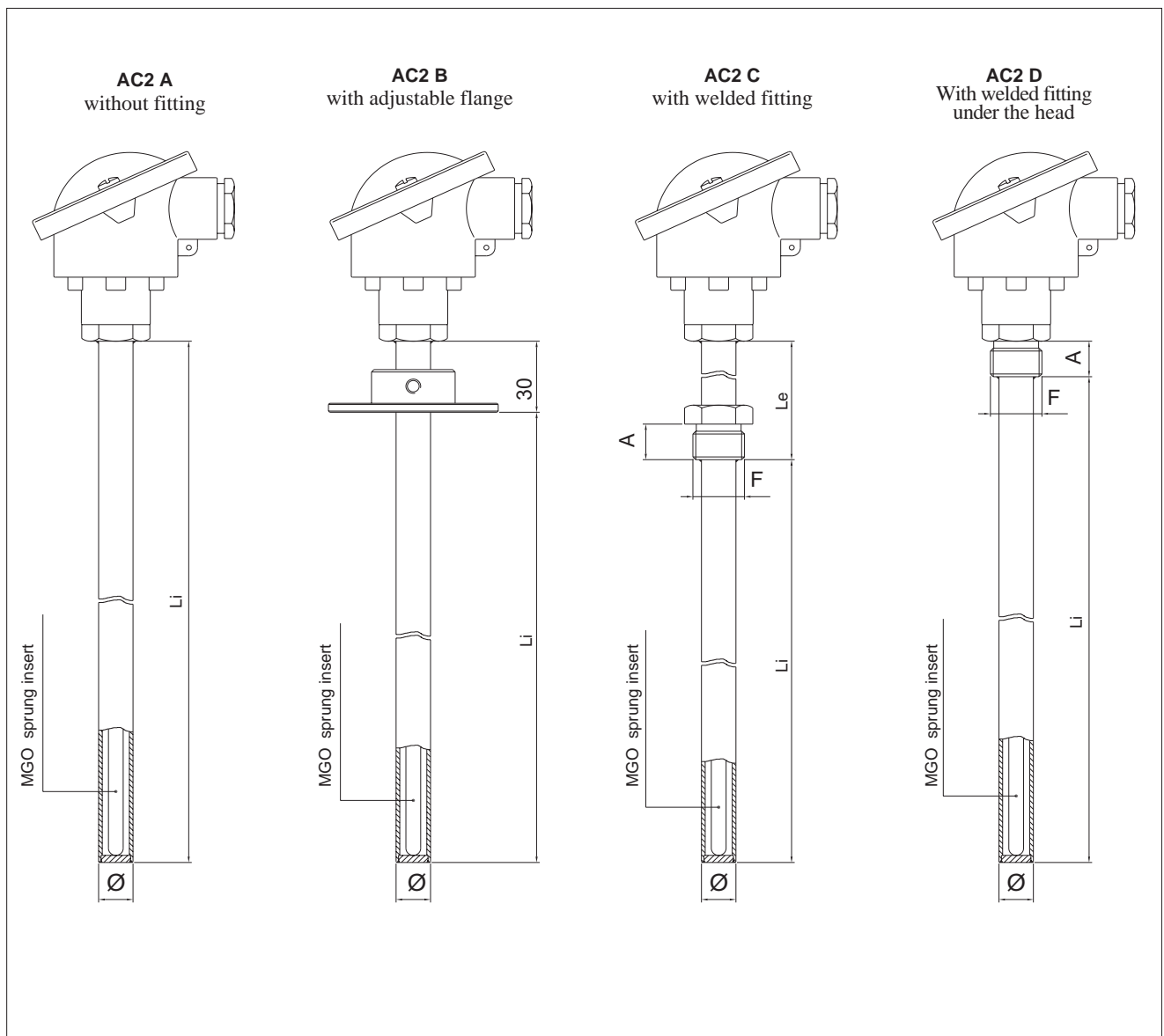




### Main features

- Amplified output signal
- Temperature limits:
  - 40 ... + 350° C for type T
  - 40 ... + 550° C for type J
  - 40 ... + 600° C for type E
  - 40 ... + 1050° C for type K
 (see table for sheath diameters)
- Tolerance:
  - UNI 7938, IEC 584-2 class 1:
  - for type T:  $\pm 0,5^{\circ} \text{C}$  (- 40 ... + 125° C)
  - $\pm 0.004 [t]$  ( $t > + 375^{\circ} \text{C}$ )
  - for type J, E, K:  $\pm 1.5^{\circ} \text{C}$  (- 40 ... + 375° C)
  - $\pm 0.004 [t]$  ( $t > + 375^{\circ} \text{C}$ )
- Mineral insulated interchangeable insert
- Application versatility

### MODELS



# ORDER CODE

CODE

A C 2 | | | | | | | | | | 0 | 0 0 0 X | | | | X | | | | | 0

Model	
Without fitting	A
With adjustable flange	B
With welded fitting	C
With welded fitting under the head	D

Element + Hot Junction	
Single Insulated	1
Single Grounded	2

Thermocouple Type	
Fe - Cu/Ni	J
Ni/Cr - Ni/Al	K
Cu - Cu/Ni	T *
Ni/Cr - Cu/Ni	E

(\*) Non available with double element

Connection Head	
DIN B	C
DIN BUS	E
EEX d IIC 2GD	F
CEAA	H
DIN BUZ - H	I

Sheath Material	
AISI 304	A
AISI 310	B
AISI 316	C
INCONEL 600	F

Sheath Diameter (mm)	
10	K
12	L
14	M
16	O
17.2 (3/8")	P
21.3 (1/2")	Q
26.7 (3/4")	T

Connection Thread *		
3/8" GAS	"A"= 15mm	C
1/2" GAS	"A"= 15mm	D
3/4" GAS	"A"= 18mm	E
1" GAS	"A"= 18mm	F
3/8" NPT		I
1/2" NPT		J
3/4" NPT		K
1" NPT		L

(\*) To be shown for C model only

Connection Material		
300 series stainless steel	2	*
Aluminium	4	**
Carbon steel	5	**

(\*) For fittings only  
(\*\*) For flanges only

Certificates	
A	Conformity Report
R	Calibration Report
T	SIT Calibr. Report / Certificate

### LENGTHS AND ACCESSORIES

Type of Transmitter	
A	4 ÷ 20mA

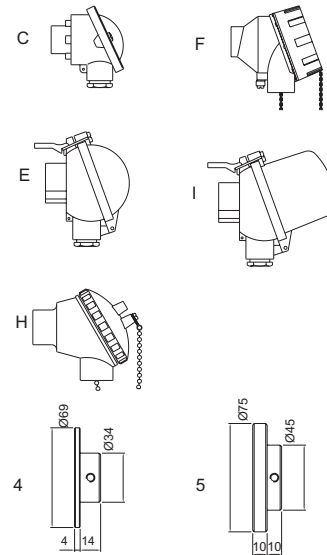
**Li = Immersion Length (mm)**  
Standard length from 100 to 2000mm with 50mm step

**Le = Extension Length (mm) (\*)**  
Standard length from 35 to 200mm with 10mm step

### Temperature range in which the calibration has to be made

T. min	T. max
<input type="text"/> °C	<input type="text"/> °C
4mA	20mA

(\*) To be shown for AC2C model



MOUNT (F)	Mod. C - D A (mm)
G 3/8	15
G 1/2	15
G 3/4	18
G 1	20
3/8 NPT	16
1/2 NPT	20
3/4 NPT	20
1 NPT	25

MOUNT (F)	Availability of Mounts /Sheathing Diameter							
	ø10	ø12	ø14	ø16	ø17.2	ø21.3	ø26.7	
G 3/8	x	x	-	-	-	-	-	
G 1/2	x	x	x	x	-	-	-	
G 3/4	x	x	x	x	x	x	-	
G 1	x	x	x	x	x	x	x	
3/8 NPT	x	x	-	-	-	-	-	
1/2 NPT	x	x	x	x	-	-	-	
3/4 NPT	x	x	x	x	x	x	-	
1 NPT	x	x	x	x	x	x	x	

Sensors amplifiers are manufactured in compliance with:  
- EMC 2004/108/CE compatibility directive  
- RoHS 2002/95/CE directive

Electrical installation requirements and Conformity certificate are available on our web site: [www.gefran.com](http://www.gefran.com)

GEFRAN spa reserves the right to make any kind of design or functional modification at any moment without prior notice

# GEFRAN

**GEFRAN spa**  
via Sebina, 74  
25050 PROVAGLIO D'ISEO (BS) - ITALIA  
ph. 0309888.1 - fax. 0309839063  
Internet: <http://www.gefran.com>

DTS\_AC2\_0709\_ENG